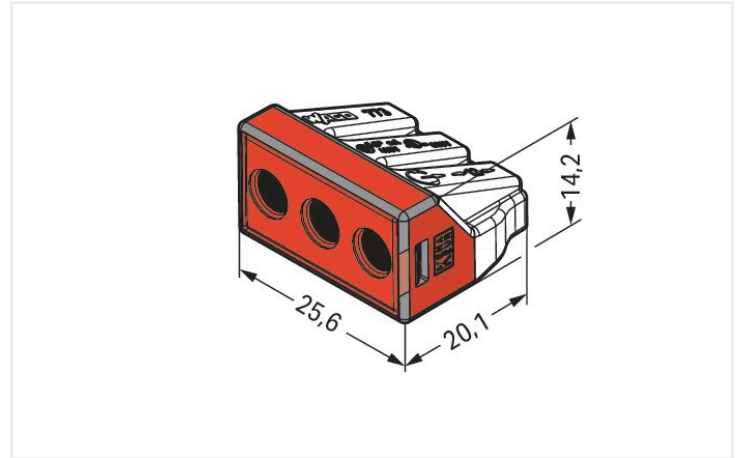


## Data sheet | Item number: 773-173

PUSH WIRE® connector for junction boxes; for solid and stranded conductors; max. 6 mm<sup>2</sup>; 3-conductor; transparent housing; red cover; Surrounding air temperature: max 60°C; 6,00 mm<sup>2</sup>; multicoloured

<https://www.wago.com/773-173>



Dimensions in mm

### Notes

Safety information 1

in grounded power lines

### Electrical data

#### Ratings per IEC/EN

Ratings per	IEC/EN 60664-1
Nominal voltage (II/2)	400 V
Rated surge voltage (II/2)	4 kV
Rated current	41 A
Legend (ratings)	(II / 2) ≙ Overvoltage category II / Pollution degree 2

### Connection data

Total number of connection points	3
Total number of potentials	1

#### Connection 1

Connection technology	PUSH WIRE®
Actuation type	Push-in
Connectable conductor materials	Copper Aluminum

## Connection 1

Connectable conductor materials (note)

### Terminating Aluminum Conductors

WAGO spring clamp terminal blocks are suitable for solid aluminum conductors up to 4 mm<sup>2</sup>/12 AWG if WAGO "Alu-Plus" Contact Paste [249-130](#) is used for termination.

"Alu-Plus" Contact Paste Advantages:

- Automatically destroys the oxide film during clamping.
- Prevents fresh oxidation at the clamping point.
- Prevents electrolytic corrosion between aluminum and copper conductors (in the same terminal block).
- Provides long-term protection against corrosion.

For spring clamp connections with PUSH WIRE® connection technology, **WAGO recommends that the aluminum conductor first be cleaned** and then immediately inserted into the clamping unit filled with "Alu-Plus" contact paste.

It is also possible to apply WAGO "Alu-Plus" **additionally** on the whole surface of the aluminum conductor before termination.

Please note that the nominal currents must be adapted to the reduced conductivity of the aluminum conductors::

2.5 mm<sup>2</sup> = 16 A

4 mm<sup>2</sup> = 22 A

Solid conductor	2.5 ... 6 mm <sup>2</sup> / 14 ... 10 AWG
Stranded conductor	2.5 ... 6 mm <sup>2</sup> / 14 ... 10 AWG
Strip length	12 ... 13 mm / 0.47 ... 0.51 inches
Wiring direction	Side-entry wiring

## Physical data

Width	25.6 mm / 1.008 inches
Height	14.2 mm / 0.559 inches
Depth	20.1 mm / 0.791 inches

## Material data

Note (material data)	<a href="#">Information on material data can be found here</a>
Color	multicoloured
Cover color	red
Flammability class per UL94	V2
Fire load	0.115 MJ
Weight	5.8 g

### Environmental requirements

Ambient temperature (operation)	+60 °C
Continuous operating temperature	105 °C

### Commercial data

eCl@ss 10.0	27-14-11-04
eCl@ss 9.0	27-14-11-04
ETIM 8.0	EC000446
ETIM 7.0	EC000446
PU (SPU)	500 (50) Stück
Packaging type	Box
Country of origin VKOrg Germany	CN
GTIN	4050821215141
Customs tariff number VKOrg Germany	85369010000

### Approvals and certificates

#### Country specific Approvals



Approval	Standard	Certificate name
CSA DEKRA Certification B.V.	C22.2	15411 (LR46759)
ENEC 15 UL International Germany GmbH	EN 60998	ENEC-01207

#### Ship Approvals



Approval	Standard	Certificate name
ABS American Bureau of Shipping	-	18-HG1755093-PDA

#### UL-Approvals



Approval	Standard	Certificate name
UL UL International Germany GmbH	UL 486C	E69654

### Downloads

#### Environmental Product Compliance

##### Compliance Search

Environmental Product Compliance 773-173






## Documentation

## Additional Information

Technical Section	pdf 2142.18 KB	
-------------------	-------------------	---

## Bid Text



773-173	19.02.2019	xml 3.24 KB	
773-173	17.05.2017	doc 25.00 KB	
ausschreiben.de 773-173			

## CAD/CAE-Data

## CAD data

2D/3D Models 773-173	
----------------------	---

## CAE data

EPLAN Data Portal 773-173	
WSCAD Universe 773-173	
ZUKEN Portal 773-173	

## 1 Compatible products

## 1.1 Optional accessories

## 1.1.1 Mounting adapter

## 1.1.1.1 Mounting accessories

**Item no.: 773-332**

Mounting carrier; 773 Series - 2.5 mm<sup>2</sup> / 4 mm<sup>2</sup> / 6 mm<sup>2</sup>; for DIN-35 rail mounting / screw mounting; orange

## 1.1.2 Tool

## 1.1.2.1 "Alu-Plus" contact paste

**Item no.: 249-130**

Syringe; Contents: 20 ml Alu-Plus contact paste